

# SIEMENS

Surface-mounted housing

Aufputzgehäuse

Boîtier apparent

Caja sobre revoque

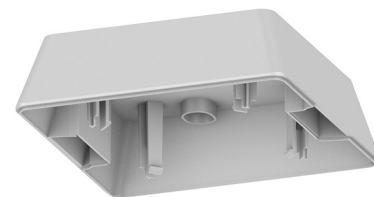
Caja de superficie

Scatola sopra intonaco

Siva üstü kasa

Корпус для открытого монтажа

表面安装外壳



5WG1258-7EB11

*Operating Instructions* *Betriebsanleitung*  
*Instruções de Serviço* *İşletme kılavuzu*

*Notice d'utilisation*  
*Руководство по эксплуатации*

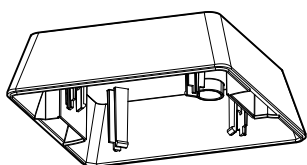
*Instructivo*  
*Bedieningshandleiding*

*Istruzioni operative*

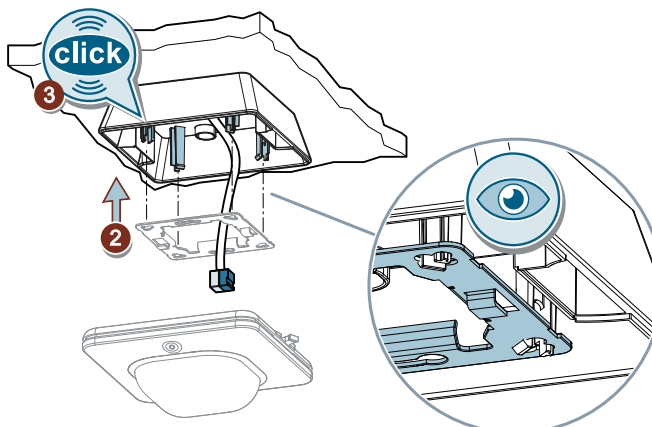
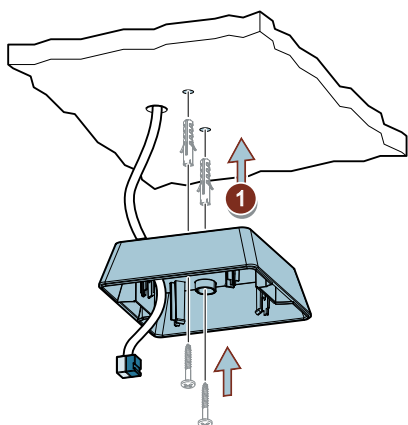
*使用说明*

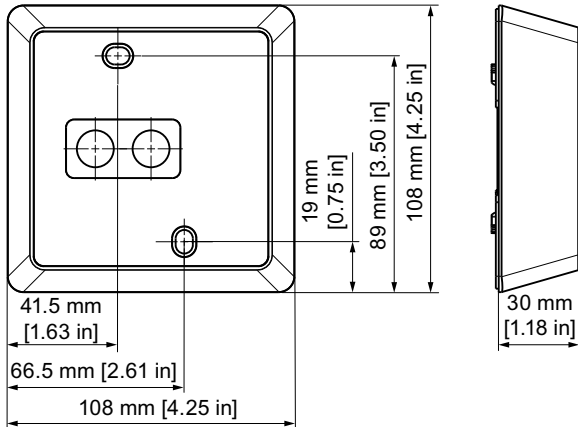


Contents / Lieferumfang / Etendue de la livraison / Contenido / 供货范围



Assembly / Montage / Montage / Montaje / 安装





Technical Documentation:  
<http://www.siemens.com/gamma-td>



Technical Support  
<http://www.siemens.com/supportrequest>



FAQ:  
<https://support.industry.siemens.com/cs/ww/en/ps/faq>



-5 ... +45°C



5 ... 95 r. H. %



-20 ... +70°C